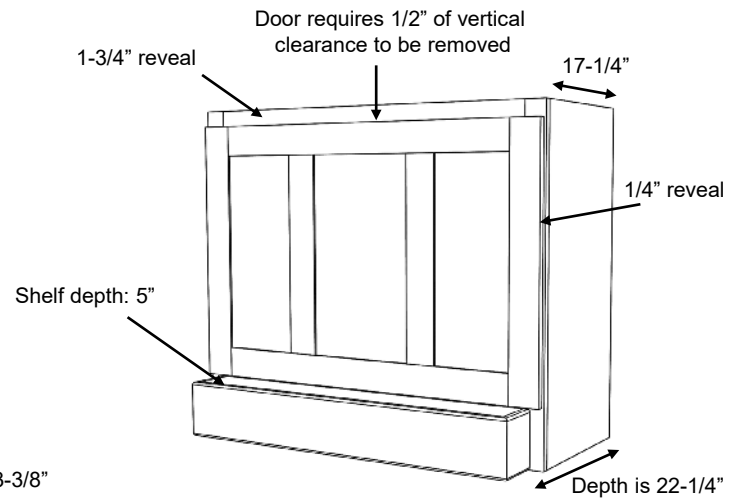
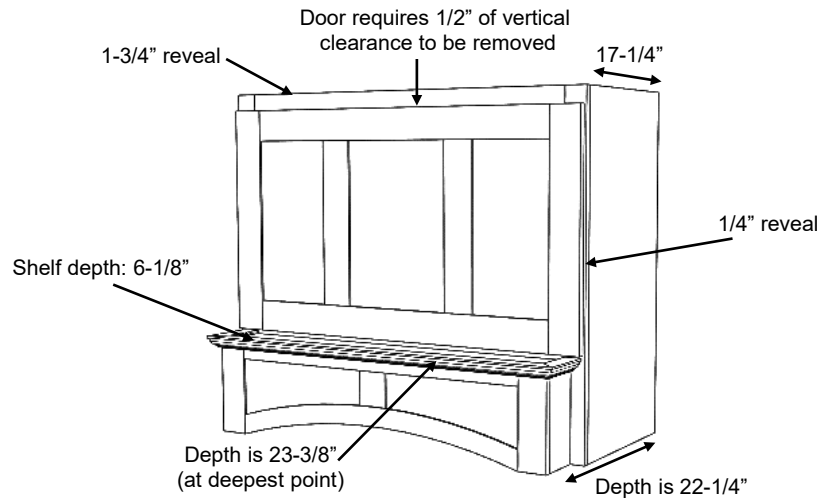


S Series shown with Standard Base (S) and #1 Classic moldings



S Series shown with Hardwood Base (SHW)



S Series shown with RA Base (SRA) and #1 Classic moldings

S Series

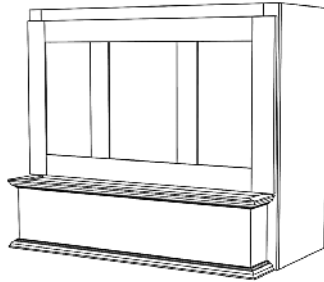
Standard Widths	33, 36, 39, 42, 45, 48, 51, 54, 57, 60, 63 (Reduced widths available)
Standard Heights	24, 30, 36, 42, 48 (Reduced heights available)
Removable Options	Removable Panel is standard Door removes by pulling upwards. Minimum 1/2" clearance is needed above top of door.
Ventilation	Hood must be a minimum of 3" wider than available vent width. Example: To use a 36" vent model, the hood should be a minimum of 39" wide.
Available Moldings	#1 Classic, #2 Simple, #3 Basic
Grain Direction	Vertical (Base is horizontal)

700 South Gaspie Street • Oxford, MI 48371 • (248) 572-6880 • email: sales@wood-hood.com • www.wood-hood.com

Standard heights of 24, 30, 36, 42, 48

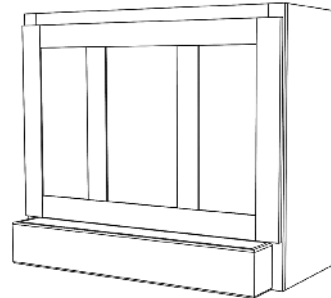
S- Standard Base

- S 33
- S 36
- S 39
- S 42
- S 45
- S 48
- S 51
- S 54
- S 60
- S 57
- S 63



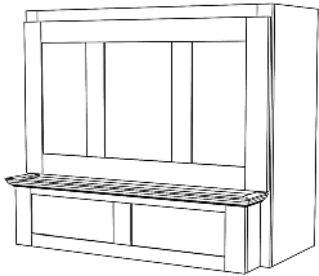
S- Hardwood Base

- SHW 33
- SHW 36
- SHW 39
- SHW 42
- SHW 45
- SHW 48
- SHW 51
- SHW 54
- SHW 57
- SHW 60
- SHW 63



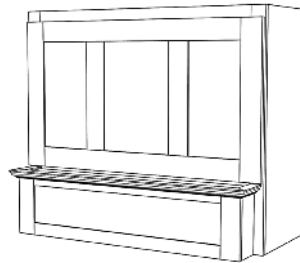
S- RS Base

- SRS 33
- SRS 36
- SRS 39
- SRS 42
- SRS 45
- SRS 48
- SRS 51
- SRS 54
- SRS 57
- SRS 60
- SRS 63



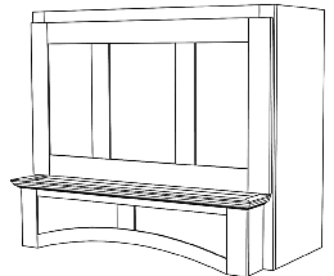
S- RSS Base

- SRSS 33
- SRSS 36
- SRSS 39
- SRSS 42
- SRSS 45
- SRSS 48
- SRSS 51
- SRSS 54
- SRSS 57
- SRSS 60
- SRSS 63



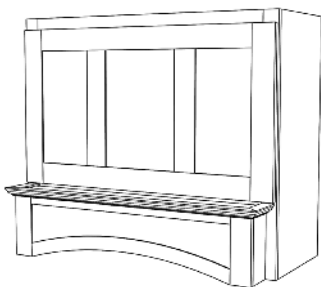
S- RA Base

- SRA 33
- SRA 36
- SRA 39
- SRA 42
- SRA 45
- SRA 48
- SRA 51
- SRA 54
- SRA 57
- SRA 60
- SRA 63



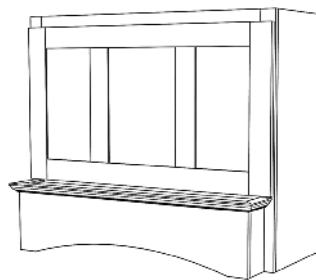
S- DP2 Base

- SDP2 33
- SDP2 36
- SDP2 39
- SDP2 42
- SDP2 45
- SDP2 48
- SDP2 51
- SDP2 54
- SDP2 57
- SDP2 60
- SDP2 63



S- SL Base

- SSL 33
- SSL 36
- SSL 39
- SSL 42
- SSL 45
- SSL 48
- SSL 51
- SSL 54
- SSL 57
- SSL 60
- SSL 63



S- DP1 Base

- SDP1 33
- SDP1 36
- SDP1 39
- SDP1 42
- SDP1 45
- SDP1 48
- SDP1 51
- SDP1 54
- SDP1 57
- SDP1 60
- SDP1 63

