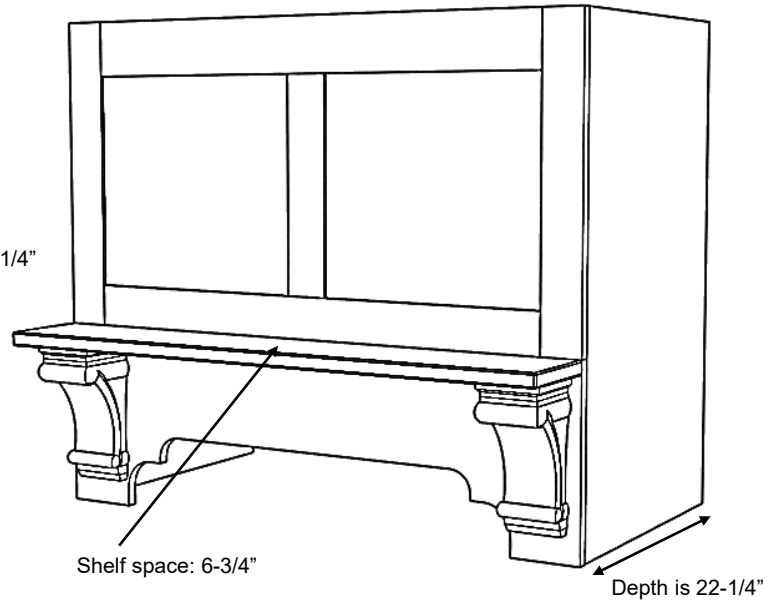


*Q Series with Bracket Corbels (QBKT)*



*Q Series (QS)  
shown with optional corbels.*

### Q Series

Standard Widths	30, 36, 42, 48, 54, 60 ( Reduced widths available)
Standard Heights	24, 30, 36, 42, 48 (Reduced heights available)
Removable Options	Removable Panel is standard (MRP) 2" fixed top rail available by request (MRP-2TR) – see modifications section.
Ventilator	Hood will be same width as available vent width. Example: To use a 36" vent model, the hood should be a minimum of 36" wide.
Available Options	Basic shelf is the default shelf style Decorative shelf style is available upon request Corbels – All Stanisci corbel options will fit this design (See corbel options page)
Grain Direction	Vertical (Base is horizontal)

Standard Heights: 24, 30, 36, 42, 48



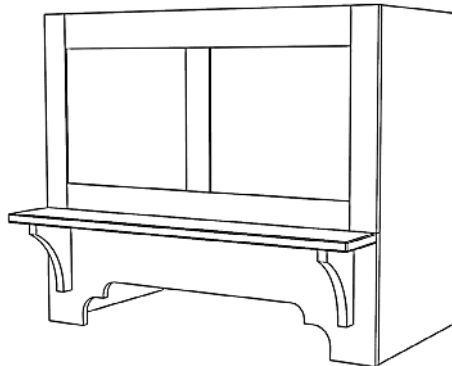
*Basic Shelf- Standard*



*Decorative Shelf- Optional*

#### QBKT- With Shelf and Simple Brackets

- QBKT 30
- QBKT 36
- QBKT 42
- QBKT 48
- QBKT 54
- QBKT 60



#### QS- With Shelf

- QS 30
- QS 36
- QS 42
- QS 48
- QS 54
- QS 60

