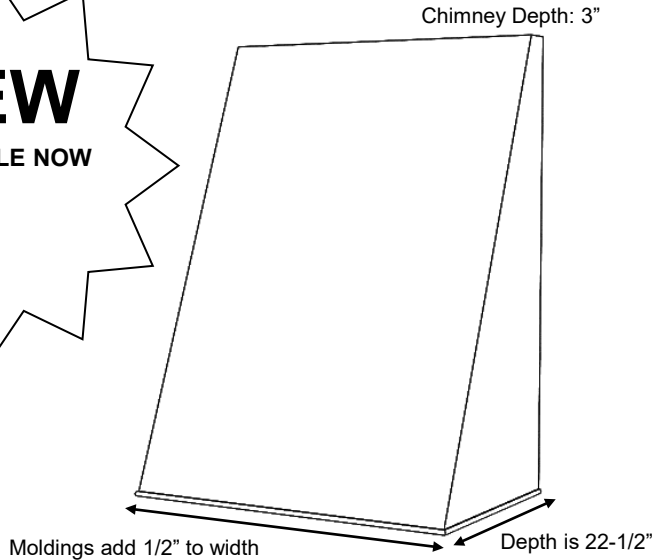
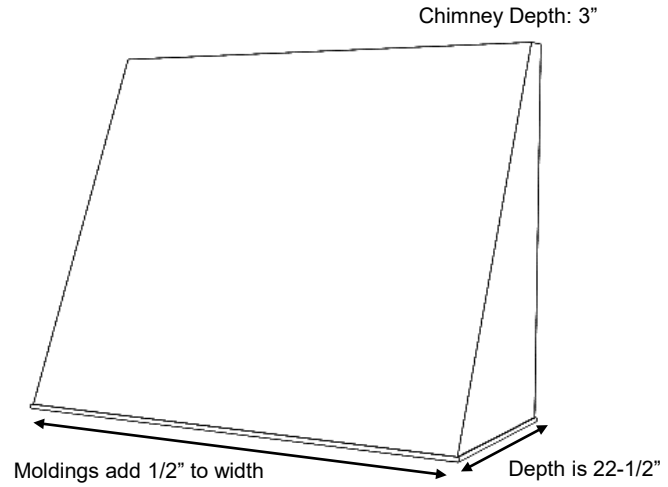


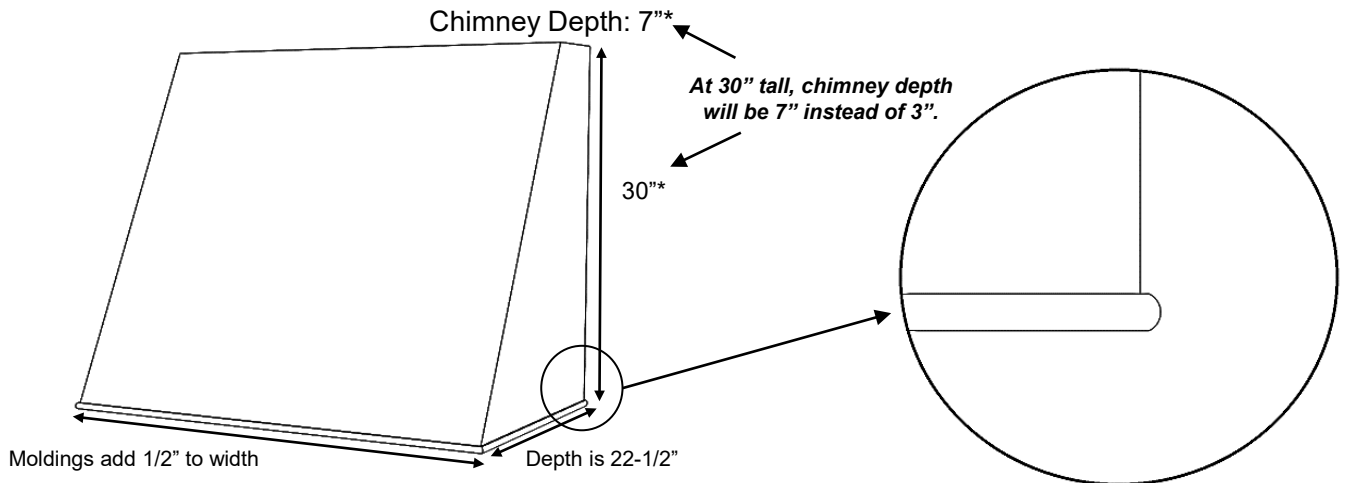
NEW
AVAILABLE NOW



K200 shown 30 wide x 42 high (K200)



K200 shown 54 wide x 42 high (K200)



K200 shown 36 wide x 30 high (K200)

K200 Series

Standard Widths	30, 36, 42, 48, 54, 60 (Reduced widths available)
Standard Heights	30, 36, 42, 48, 54, 60 (Reduced heights available)
Removeable Options	Not available
Ventilation	Hood will be same width as available vent width. Example: To use a 36" vent model, the hood should be a minimum of 36" wide (PML- Special Depth 18-1/8" Pro Mesh Liner is only available Stanisci vent unit) Ventilation must be ducted out of the rear of the hood.
Grain Direction	Vertical Hoods over 48" wide will have horizontal grain

700 South Gaspie Street • Oxford, MI 48371 • (248) 572-6880 • email: sales@wood-hood.com • www.wood-hood.com

Standard Heights: 30**, 36, 42, 48, 54, 60

NEW

AVAILABLE NOW

K200

K200 30

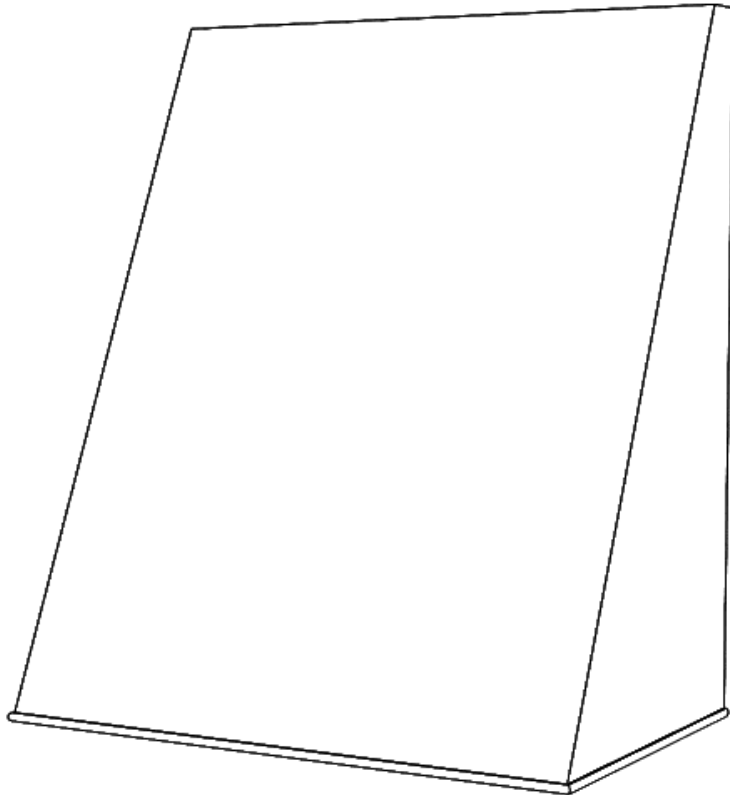
K200 36

K200 42

K200 48

K200H 54*

K200H 60*



* Hoods over 48" wide have a maximum height of 42" and will have horizontal grain.

** At 30" tall, the top depth will be 7" instead of 3".