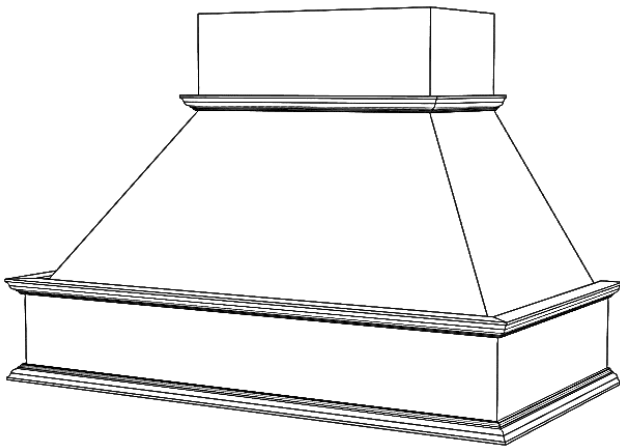
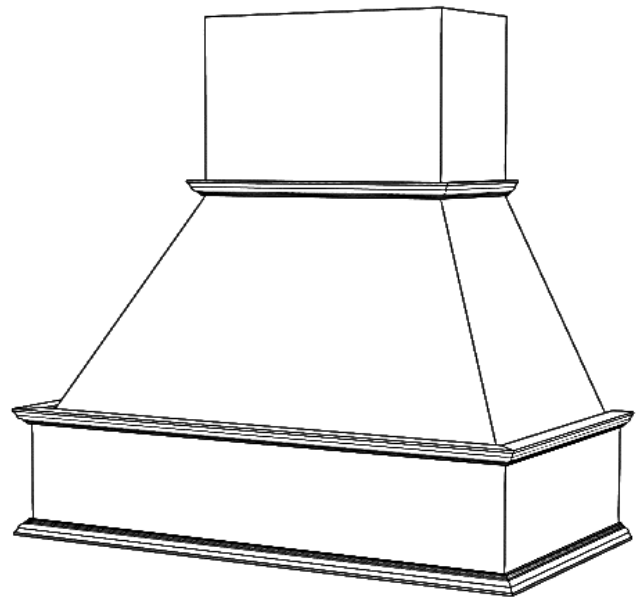


**The G and GT Series hood are identical chimney style hoods however, the G Series is made for a shorter style hood while the GT Series is made for a taller style hood.**

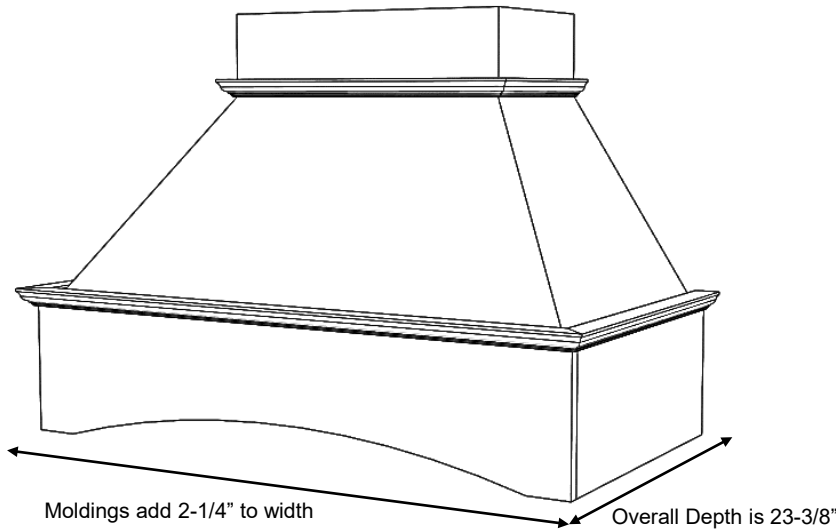


*G Series shown with Standard Base  
36 x 30*

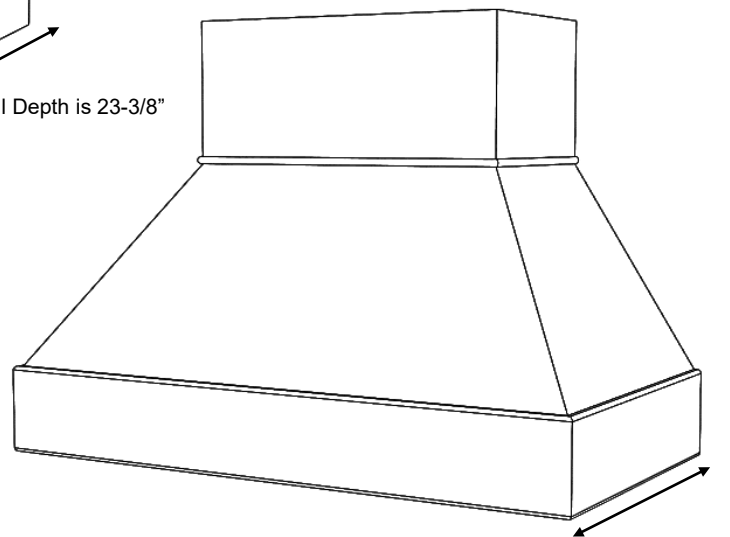


*GT Series shown with Standard Base  
36 x 42*

*(GT-Series was previously named T-Series)*



*G Series shown with SL Base (GSL)  
and #1 Classic moldings*



*G Series shown with Hardwood Base (GHW)*

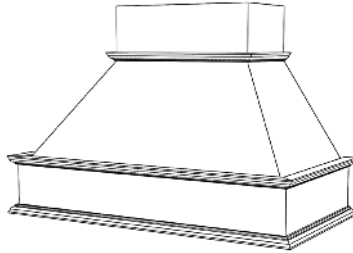
### G Series

Standard Widths	36, 42, 48, 54, 60
Standard Heights	30 (Modified heights available) Chimney can be trimmed in the field
Removable Options	Removable Top (RT) – see modifications section. Applied Removable Panel (ARP) – see modifications section.
Ventilation	Hood will be same width as available vent width. Example: To use a 36" vent model, the hood should be a minimum of 36" wide
Available Moldings	#1 Classic, #2 Simple, #3 Basic
Grain Direction	Vertical (Base is horizontal)

Standard Height: 30

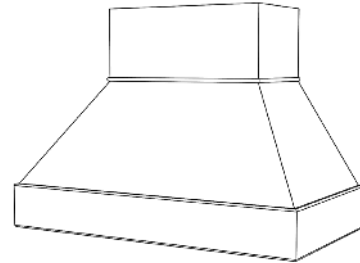
#### G- Standard Base

G 36  
G 42  
G 48  
G 54  
G 60



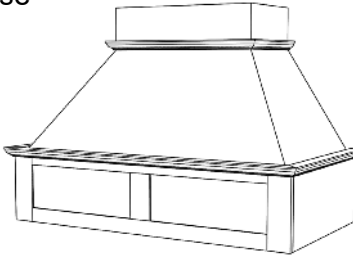
#### G- Hardwood Base

GHW 36  
GHW 42  
GHW 48  
GHW 54  
GHW 60



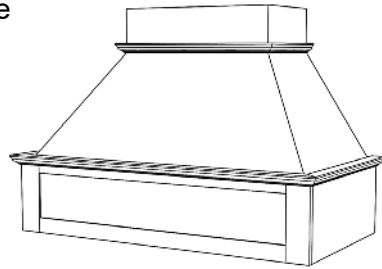
#### G- RS Base

GRS 36  
GRS 42  
GRS 48  
GRS 54  
GRS 60



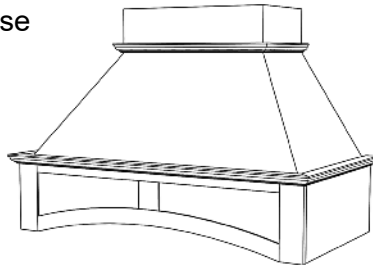
#### G- RSS Base

GRSS 36  
GRSS 42  
GRSS 48  
GRSS 54  
GRSS 60



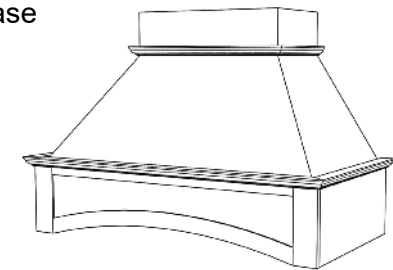
#### G- RA Base

GRA 36  
GRA 42  
GRA 48  
GRA 54  
GRA 60



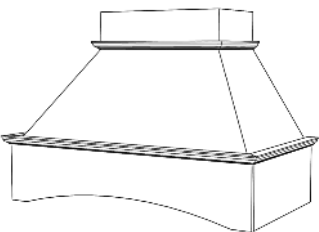
#### G- DP2 Base

GDP2 36  
GDP2 42  
GDP2 48  
GDP2 54  
GDP2 60



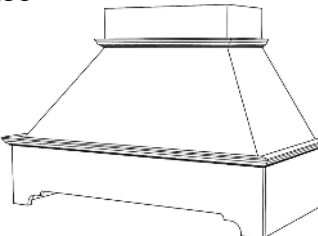
#### G- SL Base

GSL 36  
GSL 42  
GSL 48  
GSL 54  
GSL 60



#### G- DP1 Base

GDP1 36  
GDP1 42  
GDP1 48  
GDP1 54  
GDP1 60



#### G- SS Base

GSS 36  
GSS 42  
GSS 48  
GSS 54  
GSS 60

