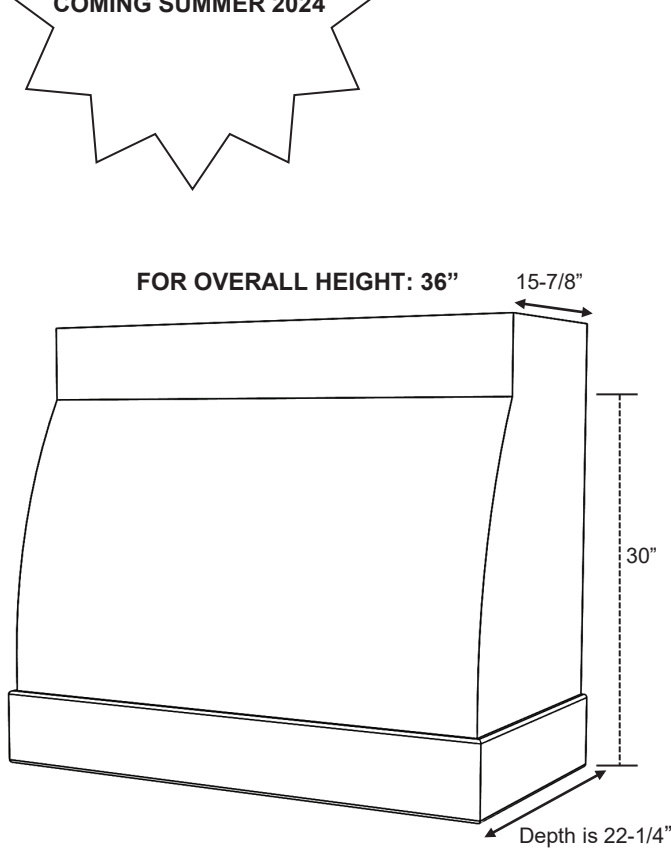
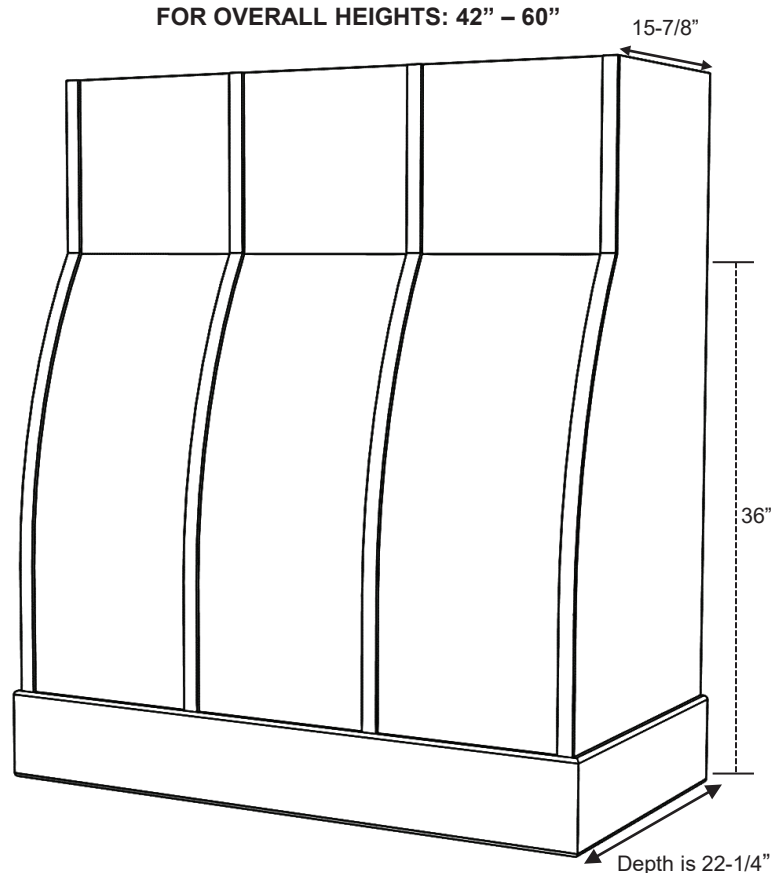


NEW

COMING SUMMER 2024



ER600 Series 42 x 36 shown with Hardwood Base (ER600HW)



ER600 Series 42 x 48 shown with Hardwood Base (ER600HW) and optional Hardwood Battens

ER600 Series

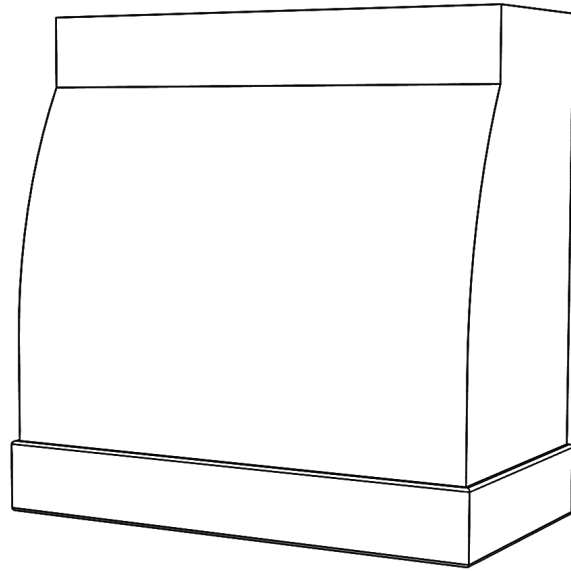
Standard Widths	30, 36, 42, 48, 54, 60 (Reduced widths available)
Standard Heights	36, 42, 48, 54, 60 (Reduced heights available)
Removable Options	Not available
Available Options	Hardwood Battens (See batten options page)
Ventilation	Hood will be same width as available vent width. Example: To use a 36" vent model, the hood should be a minimum of 36" wide.
Grain Direction	Vertical (base is horizontal)



Standard Heights: 36, 42, 48, 54, 60

ER600- Hardwood Base

- ER600HW 30
- ER600HW 36
- ER600HW 42
- ER600HW 48
- ER600HW 54
- ER600HW 60



ER600- SS Base

- ER600SS 30
- ER600SS 36
- ER600SS 42
- ER600SS 48
- ER600SS 54
- ER600SS 60

