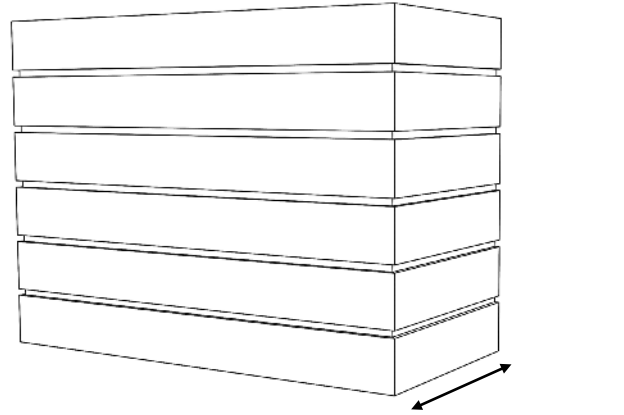
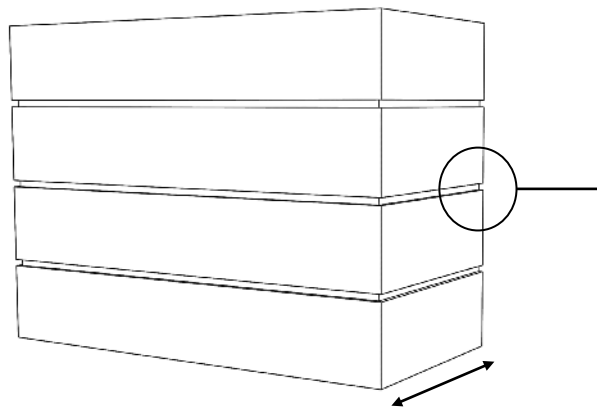


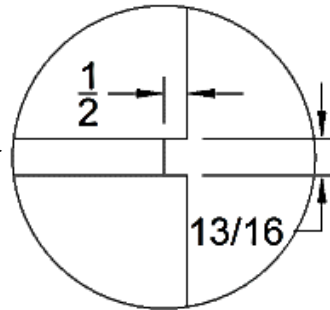
AX shown with 2 slats (AX-2)



AX shown with 6 slats (AX-6)



AX shown with 4 slats (AX-4)



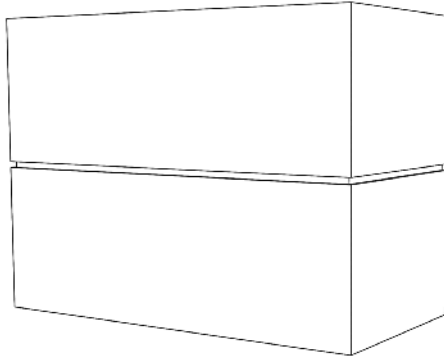
AX Series

Standard Widths	31, 37, 43, 49, 55, 61 (Reduced widths available)
Standard Heights	24, 30, 36, 42, 48 (Reduced heights available)
Removable Options	Not Available
Standard assumptions	Slat spacing is 13/16" (designed to yield 3/4" W x 1/2" D space after finish applied.) All slats will be equal height Average weight could exceed 100 pounds. Hood must be properly anchored to the wall
Ventilation	Hood must be a minimum of 1" wider than available vent width. Example: To use a 36" vent model, the hood should be a minimum of 37" wide
Grain Direction	Horizontal

Standard Heights: 24, 30, 36, 42, 48

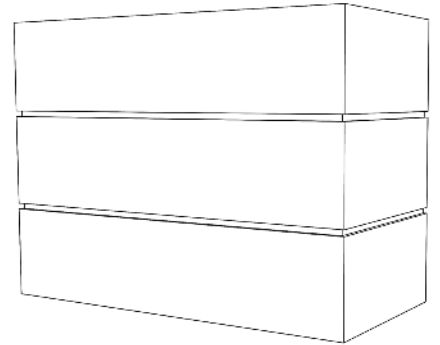
AX - 2 Slat

- AX-2 31
- AX-2 37
- AX-2 43
- AX-2 49
- AX-2 55
- AX-2 61



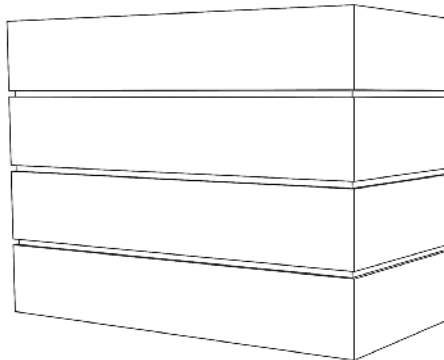
AX - 3 Slat

- AX-3 31
- AX-3 37
- AX-3 43
- AX-3 49
- AX-3 55
- AX-3 61



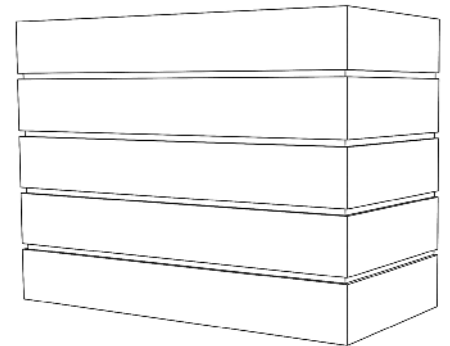
AX - 4 Slat

- AX-4 31
- AX-4 37
- AX-4 43
- AX-4 49
- AX-4 55
- AX-4 61



AX - 5 Slat

- AX-5 31
- AX-5 37
- AX-5 43
- AX-5 49
- AX-5 55
- AX-5 61



AX - 6 Slat

- AX-6 31
- AX-6 37
- AX-6 43
- AX-6 49
- AX-6 55
- AX-6 61

